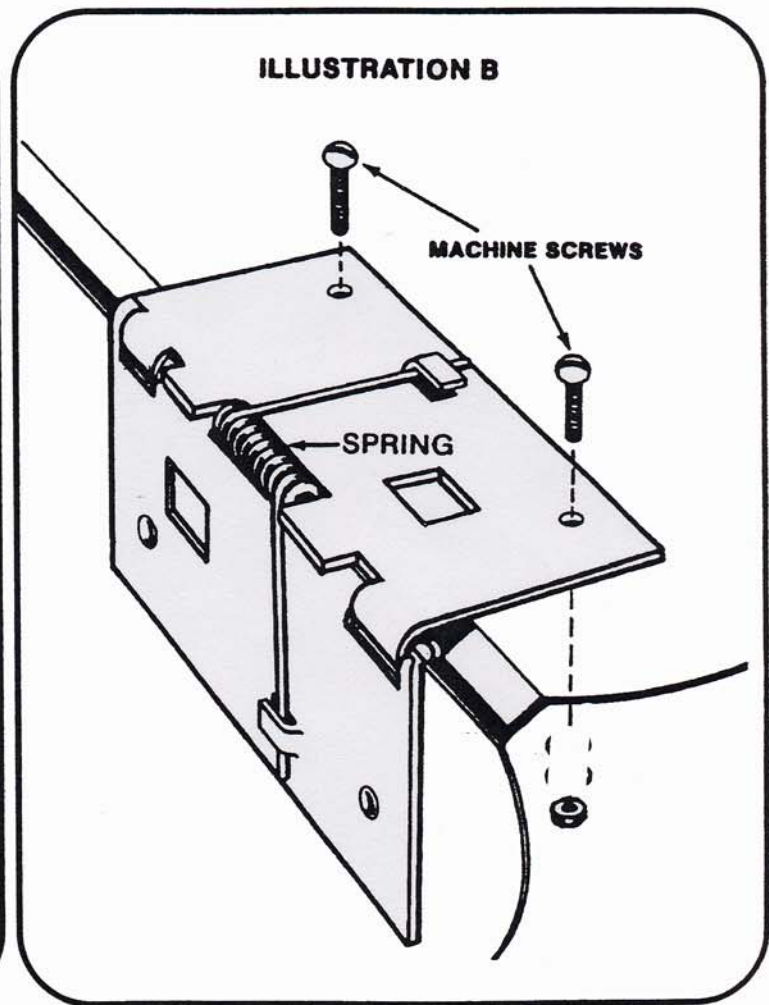
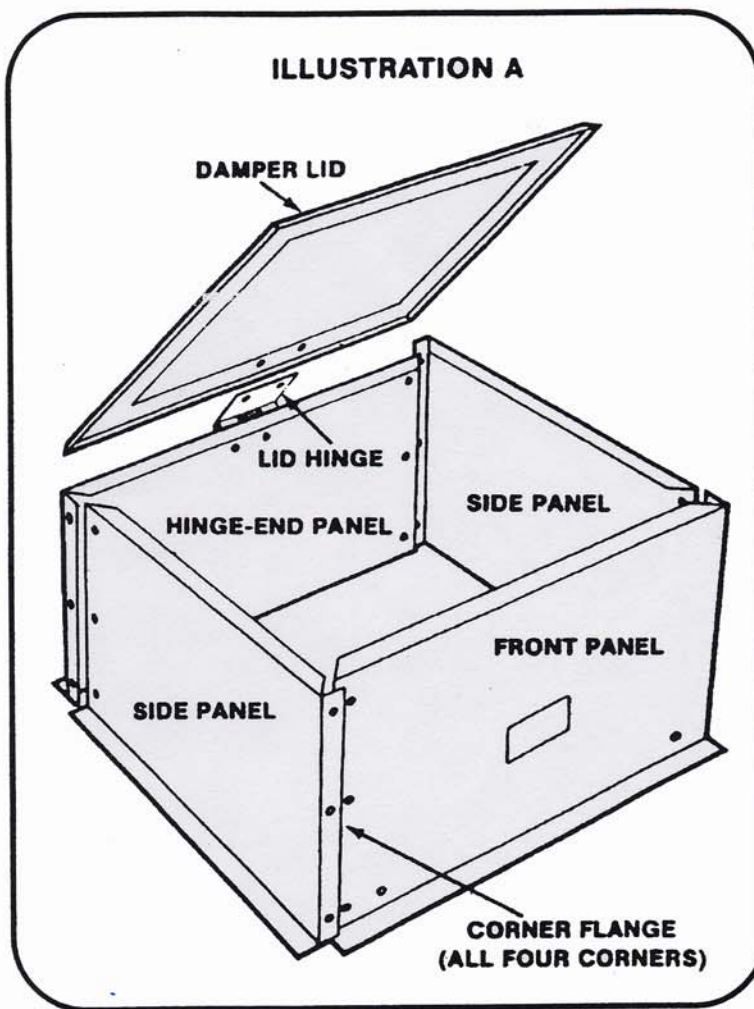


Assembly Instructions

Up-dux® Ceiling Vent Economy Model TPS-101

1. After carefully removing packing tape from sleeve sections, use the 1/4" screws to loosely join both SIDE panels to the HINGE-END panel. Then, fasten the FRONT panel into position. **VERY IMPORTANT:** Each of the 4 CORNER FLANGES must lap OVER the OUTSIDE surface of the end of the panel to which it is fastened. See illustration A.
2. With unit resting on flat, level surface, sleeve corners will fall into their proper 90° alignment. All corner screws may now be securely tightened. (Take care, though, NOT to over-tighten!)



3. Next, referring to illustration B, loosely mount the aluminum barometric damper lid. With the LID HINGE BALANCING SPRING in position, tighten the machine screw nuts. **HINT:** If either of the front lid corners does not seat reasonably well on the rubber gasketing, carefully "tweak" UPWARDLY the diagonally opposing hinge-end lid corner (as is done—if or when necessary—on final quality control inspection of Mission's factory-assembled Up-dux® ceiling vent models).