

# LINE-STAT THERMOSTAT

**CAUTION:** Turn off electricity at circuit breaker before installing LINE-STAT thermostat.

**CAUTION:** For maximum safety, make sure cooler cabinet, motor and pump are connected to a suitable ground. Be sure motor and pump are connected to correct line voltage and cycle as indicated on motor and pump.

**IMPORTANT:** Install wiring according to the specifications of the cooler manufacturer and all local electrical codes.

## INSTALLATION INSTRUCTIONS

1. Choose a location to mount the LINE-STAT thermostat where it can best sense the AVERAGE house temperature and where a new electrical junction box can be securely mounted (e.g., a wall stud). The LINE-STAT is designed to fit into a standard, single, gang, electrical junction box. A recommended mounting location is a hallway nearby an existing air conditioning or heating thermostat. Do not mount the LINE-STAT where it can be affected by sunlight or by the air flow from the evaporative cooler.
2. Remove manual switch from its junction box.
3. Place wiring between the junction boxes of the new LINE-STAT thermostat and the existing manual switch. As a minimum, use No. 14-2 Romex wire (2 wire, 14 AWG and a ground).
4. Remove cover from LINE-STAT base.
5. Connect wiring to LINE-STAT thermostat and manual switch as shown in Figure 2 or Figure 3.
6. Mount LINE-STAT base onto its junction box. Snap cover back onto base.
7. Re-mount manual switch onto its junction box.

## OPERATION INSTRUCTIONS

Due to the sensitivity of the LINE-STAT thermostat, a few hours may initially be needed in order for the thermostat to become stabilized to room temperature.

Set the manual switch to the desired evaporative cooler operation. Turn the LINE-STAT dial fully counter-clockwise (towards the warmest temperature setting). Slowly turn the dial back clockwise towards the cooler temperature settings. When the evaporative cooler turns "on," this indicates the corresponding room temperature. Further dial adjustments may then have to be made in small increments until a desired temperature dial range is established. It may require 15 to 30 minutes to restabilize the thermostat to room temperature after a dial adjustment has been made.

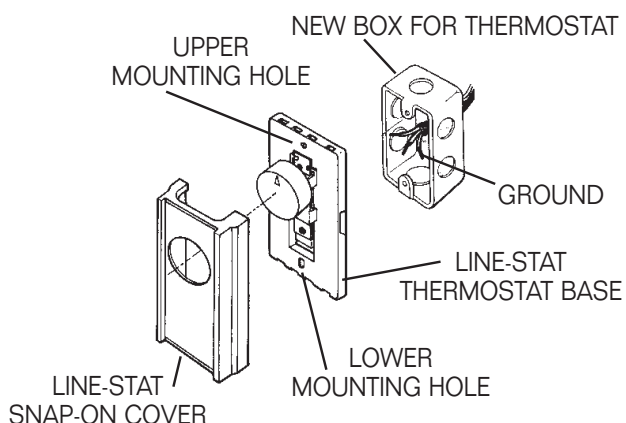


FIGURE 1

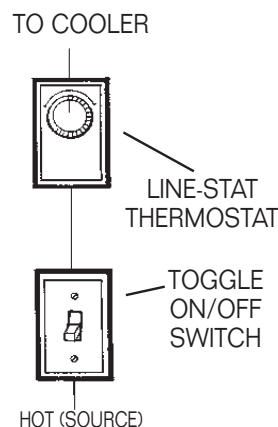


FIGURE 2  
SINGLE SPEED CONTROL

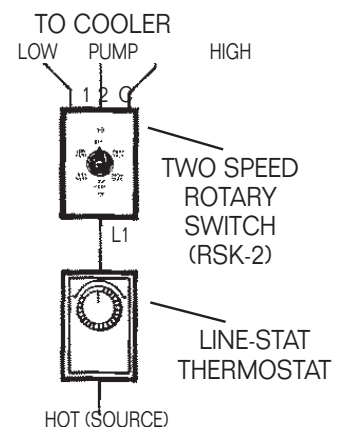


FIGURE 3  
TWO SPEED CONTROL