

INSTALLATION & OPERATING INSTRUCTIONS

CONTENTS:

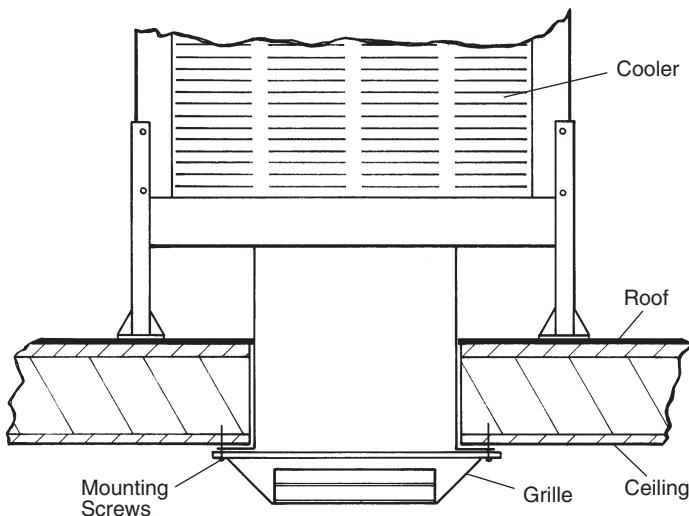
- Grille With Louvers Attached
- 8 Grille Mounting Screws

INSTALLATION INSTRUCTIONS:

This grille has been designed to be used with the evaporative cooler controls mounted separate from the grille (e.g. on house wall), or with an evaporative cooler rotary switch (RSK or RSK-2) mounted as an integral part of the grille.

A. Grille Mounting Instructions for Separate Controls:

1. Place louvered grille over roof ventilator opening. Select the inboard or outboard grille mounting holes to provide the most secure mounting arrangement (i.e. into joists, or sheet metal or etc.).
2. Secure grille with the 8 grille mounting screws provided.



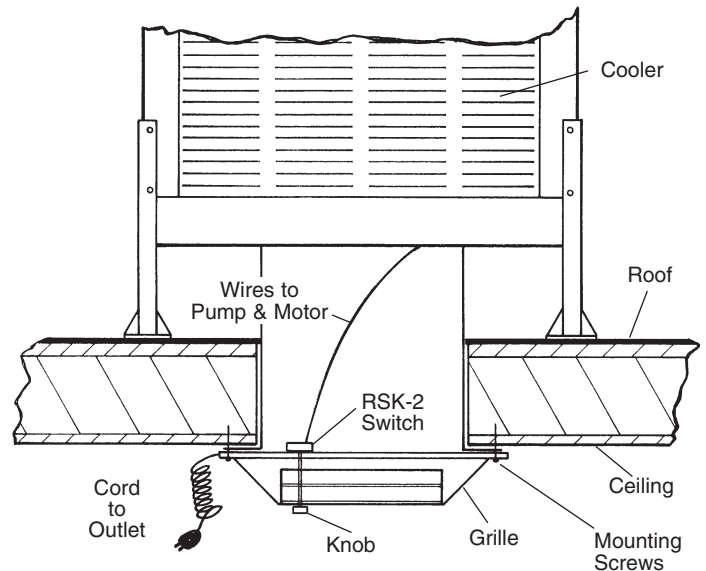
Grille Mounted with Separate Controls

B. Grille Mounting Instructions for Integral Rotary Switch:

Note: A Grille Switch and Wiring Kit (Dial P/N's 7640 or 7641) must be purchased separately for this installation.

Caution: Turn off electricity at circuit breaker before installing grille and its switch and wiring kit.

Caution: For maximum safety, make sure cooler cabinet, motor and pump are connected to suitable ground. Be sure motor and pump are connected to correct line voltage and cycle as indicated on motor and pump. **IMPORTANT:** Install wire according to the specifications of the cooler manufacturer and all local electrical codes.



Grille Mounted with Integral Controls

1. Follow installation instructions of Grille Switch and Wiring Kit for the mounting of the rotary switch and for all electrical connections to cooler pump and motor.
2. Remove plastic plug from middle section of grille.
3. Position rotary switch mounting bracket inside grille with switch stem extending out through plastic plug hole.
4. Mount switch bracket securely onto grille with hardware provided within Switch and Wiring Kit.
5. Place cord through notch on grille side. This will provide a flush grille mount.
6. Place louvered grille assembly over ventilator opening. Select the inboard or outboard grille mounting holes to provide the most secure mounting arrangement (i.e. into joists, or sheet metal, or etc.).
7. Secure grille with the 8 grille mounting screws provided.
8. Place rotary switch knob onto switch stem.
9. Plug cord into outlet.

OPERATING INSTRUCTIONS:

Evaporative cooler air flow can be directed by opening or closing the grille louvers. Six different louver sets exist to provide maximum air flow flexibility. Open windows or doors, or use Dial's Ventmatic ceiling vents (in conjunction with proper attic ventilation) to achieve maximum cooler efficiency.