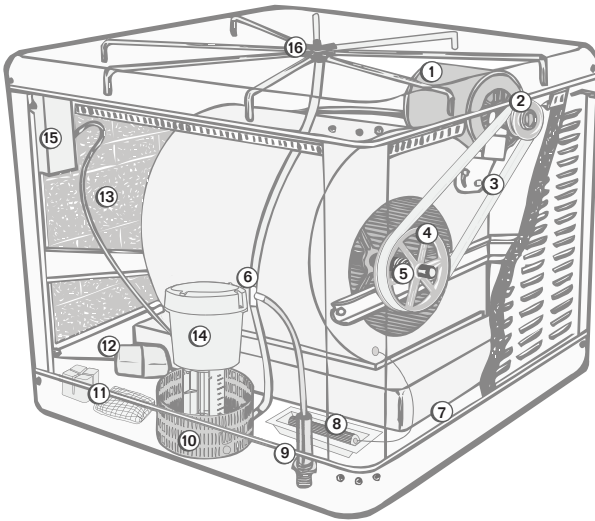




Recommended Annual Maintenance Check List

Frequent maintenance reduces overall cost and improves cooler efficiency. Fill in the form below and use the information to keep your evaporative cooler operating efficiently all season.



- 1 Motor
- 2 Motor Pulley
- 3 V-Belt
- 4 Blower Pulley
- 5 Bearings, Collar & Shaft
- 6 Bleed Tee
- 7 Coatings
- 8 Anode
- 9 Drain & Overflow Pipe
- 10 Filter Screen
- 11 Scale Eliminator
- 12 Float Valve
- 13 Pad
- 14 Pump
- 15 Electrical Box
- 16 Water Distributor Tubes & Clips

Cooler Make _____

Model _____

CFM Rating _____

PART	SIZE	CHANGE	DATE	DATE	DATE
Pads		Twice / Year			
Pump		As Needed			
Motor		As Needed			
Belt		As Needed			
Cover		As Needed			
Lubricate Bearings		Every 2 Months			
Flush and Clean		Every 2 Months			